



NT803 Super Swivels

Serving The Nuclear Industry

Canada 
www.thorburnflex.com



High Quality Custom Flexible Piping Systems

Thorburn Flex Inc is a proven industry leader in the cost effective design, development, manufacturing and supply of ultra-high quality custom flexible piping systems. Thorburn Flex Inc is committed to a policy of continuous development and research to provide flexible piping products that set the industry standard for quality, safety, durability and ease of handling.



NT803 Heavy Duty Hydraulic Rebuildable Live Swivels

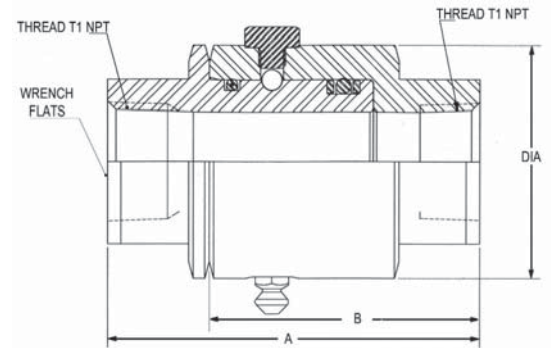
Product Description:

- Available in sizes 1/4" through 2"
- Rated to 5000 psi working pressures
- Manufactured from hardened ASME SA564 Material
- Chrome ball bearings for long life
- Larger ball bearings for more bearing area
- Burnished barrel bores
- Viton™ seals standard
- Lower rotating torque
- Withstands heavy loads
- Absorbs torsional piping loads
- No snap ring to blow off
- Rebuilding kits available
- Swivel design prevents twisting of hose during operation

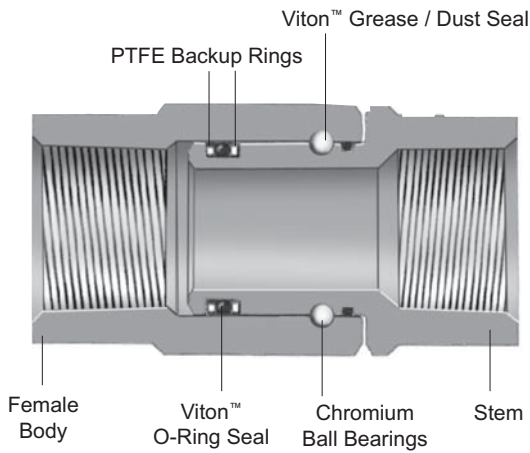


NT803 Series Technical Data

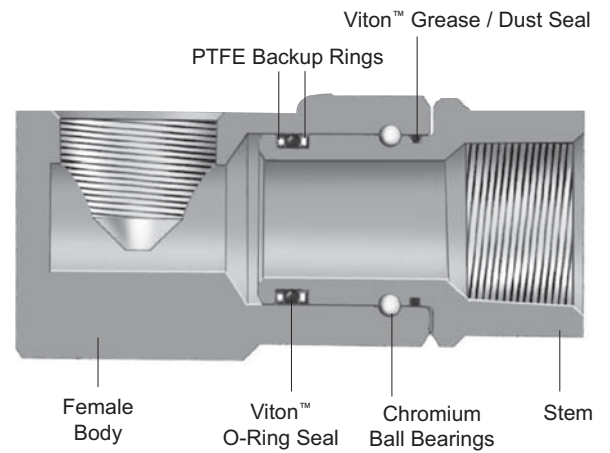
SIZE	A	B	THREAD T	THREAD T1	WRENCH FL	DIAMETER	DESIGN PRESS PSI @ 21°C
1/4"	2.572	1.720	1/4 - 18	1/4 - 18	1.000	1.170	4000
3/8"	2.835	1.850	3/8 - 18	3/8 - 18	1.250	1.420	4000
1/2"	2.835	1.850	1/2 - 14	1/2 - 14	1.375	1.545	4000
3/4"	2.835	1.850	3/4 - 14	3/4 - 14	1.625	1.795	3500
1"	3.660	2.480	1 - 1/2	1 - 1/2	2.000	2.125	3000
1 1/4"	4.025	2.685	1 1/4 - 11 1/2	1 1/4 - 11 1/2	2.375	2.500	3000
1 1/2"	4.700	3.290	1 1/2 - 11 1/2	1 1/2 - 11 1/2	2.500	2.625	2000
2"	5.200	3.800	2 - 11 1/2	2 - 11 1/2	3.000	3.250	2000



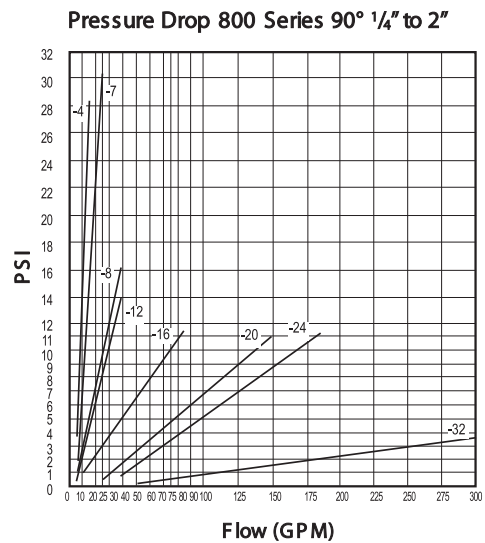
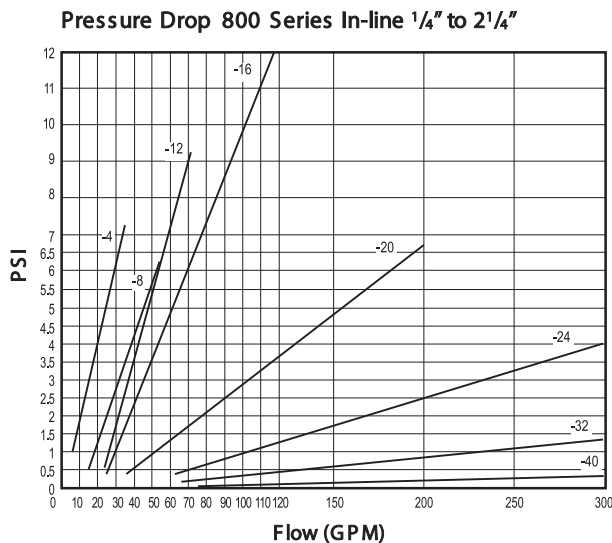
Inline Super Swivel



90° Super Swivel



Flow Charts

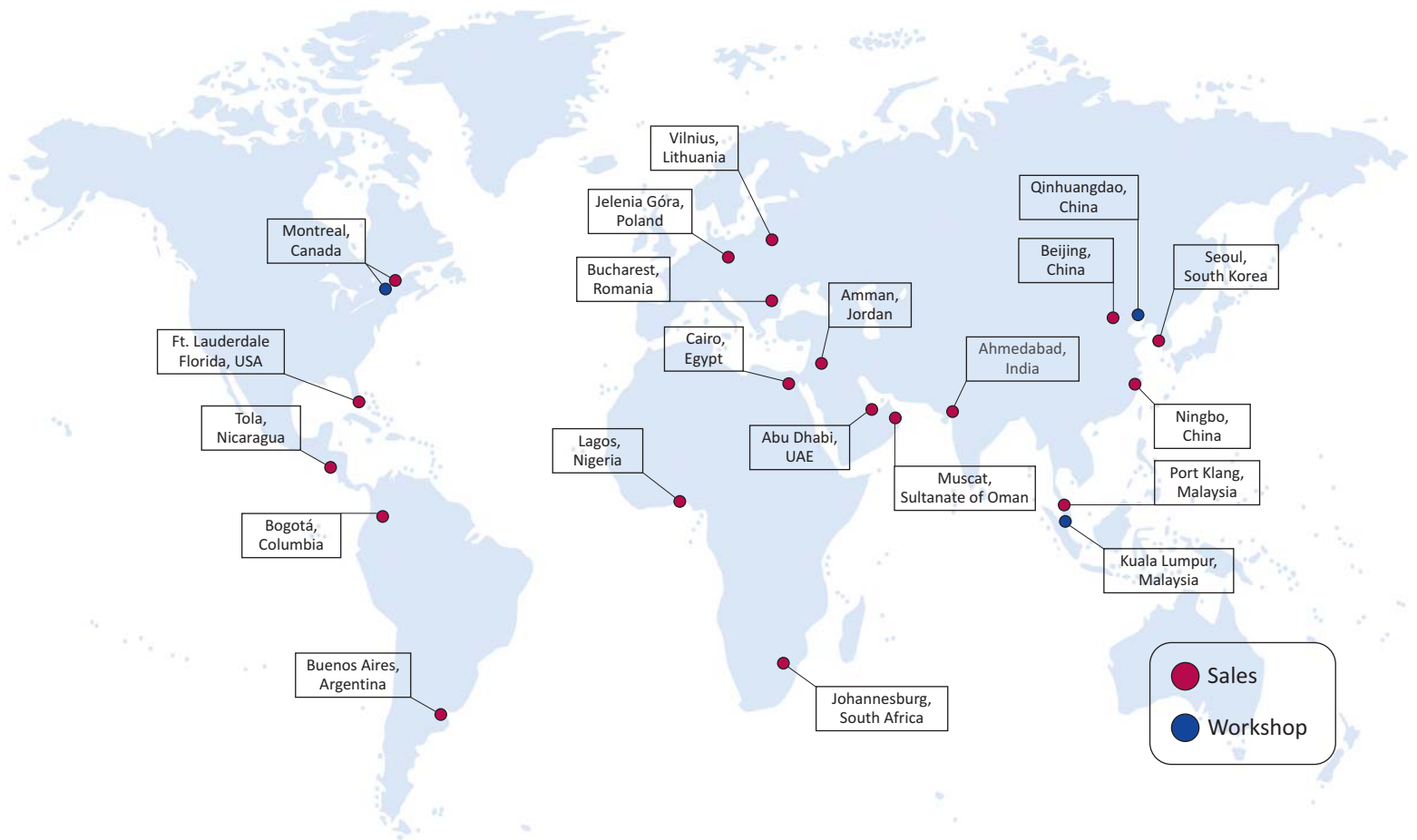


THORBURN FLEX - Canada
 165 Oneida, Pointe-Claire, Quebec
 Canada, H9R 1A9
 Tel: +1-514-695-8710
 Fax: +1-514-695-1321
 sales@thorburnflex.com



ISIR Romania | CNCAN Romania | EN 13480-2002 | HAF 604 China | TSG China
 (CRN for all Canadian Provinces)

Thorburn's Global Presence



www.thorburnflex.com